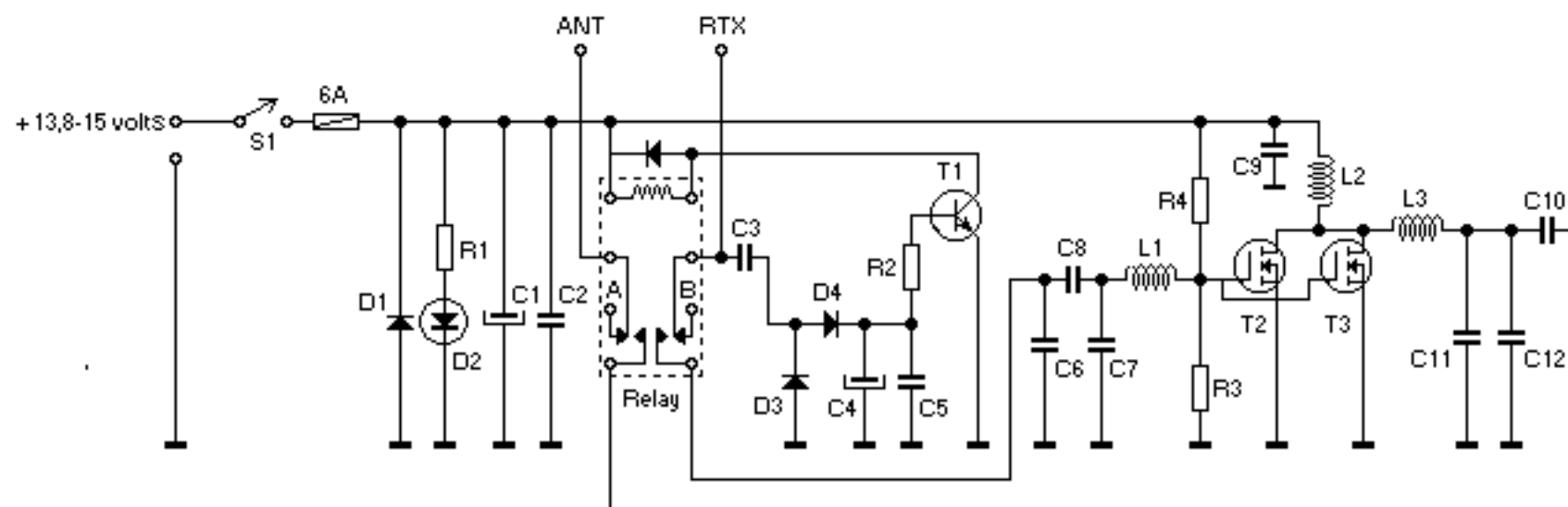


Linjärt slutsteg 27-28 MHz, 50 watt PEP



Part List

R2 = 1K	C4 = 10 uF 25V	D2 = Led
R2 = 18K	C6, C8 = 47pF	D3, D4 = 1N4148
R3 = 5K6	C7 = 100pF	T1 = BC237
R4 = 33K	C10 = 33pF	T2, T3 = IRF520
C1 = 47uF 25V	C11 = 100pF	L1 = 10 turns 0,8mm wire on 8mm dia air former
C2, C5, C9 = 10n	C12 = 120pF	L2 = 8 turns 0,8mm wire on 8mm dia air former space 1mm
C3 = 5pF	D1 = IN4001	L3 = 7 turns 0,8mm wire on 8mm dia air former space 1mm